

6MP IP 25X

Panoramic PTZ Camera

White Light, PoE, Auto Tracking

SP-H66V-25X

Panoramic Series



KEY FEATURES

- Up to Panorama:3840×1568@25fps
Detail: 2560×1440@25fps
- Panorama: 0.0001lux Detail:0.001Lux
- Panorama: S+265/H.265/H.264/M-JPEG
- Detail: S+265/H.265/H.264/M-JPEG
- Built-in Micro SD Card Slot, up to 512 GB
- Support Panorama: Smart Surveillance Detail: Smart Surveillance
- Support Panorama: Human/Vehicle Classification
- Detail: Human/Vehicle Classification
- Operating Conditions -30°C ~ 65°C(IR OFF),
-30°C ~ 40°C(IR ON), 0~95%
- AC24V±25% / DC24V±10%, POE IEEE802.3BT
- IP66



SPECIFICATIONS

Camera

Image Sensor	Panorama: 1/1.8"CMOS Detail: 1/2.7"CMOS
Min. Illumination	Panorama: 0.0001lux Detail: 0.001Lux
Shutter Time	Panorama: 1s ~ 1/100000s Detail: 1s ~ 1/100000s
Day & Nigh	Panorama: N/A Detail: IR-cut filter with auto switch (ICR)
WDR	Panorama: DWDR Detail: 120dB

Lens

Focal Length	Panorama: 3.3mm Detail: 4.8mm~120mm
Optical Zoom	Panorama: N/A Detail: 25X
Digital Zoom	Panorama: N/A Detail: 16X
Zoom Speed	Panorama: N/A Detail: <5s
Aperture Range	Panorama: F1.0 Detail: F1.67~F3.67
Field of View	Panorama: 190±10°(H) Detail: 58°~2.8°(H); Panorama:75±10°(V) Detail: 33.9°~1.7°(V); Panorama: N/A Detail: 64.8°~3.3°(D)
Focus Control	Panorama: N/A Detail: Auto/Semi-auto/Manual
Iris Control	Panorama: Fixed Detail: Auto
Close Focus Distance	Panorama: 2000mm Detail: 500mm~5000mm
DORI Distance	Panorama: Detect: 45.5m Observe:18.1m Recognize:9.1m Identify:4.6m Detail: Detect: Detect:1980m Observe:785m Recognize:396m Identify:198m

Pan&Tilt

Pan Range	Detail: 360°
Tilt Range	-16° ~ 90° (Default -3°~90°)
Tilt Speed	Manual Speed: 0.1° ~ 120°/s Preset: 180°/s
3D Position	Yes
Preset	500

Cruise	16, up to 32 presets per cruise
Scan	8
Pattern	8, each with 600s memory or 1000 orders
Scheduled Task	Preset, Cruise, Scan, Pattern
North Point	Yes(Manual setting)
Power-off Memory	Yes

Illuminator

IR LEDs	Panorama: N/A Detail: 10
IR Distance	Panorama: N/A Detail: 150m
Wavelength	Panorama: N/A Detail: 850nm
IR Irradiation Angle	Panorama: N/A Detail: Adjustable by Zoom
White LEDs	Panorama: 3 Detail: 4
Whitelight Distance	Panorama: 30m Detail: 30m
Laser	Panorama: N/A Detail: N/A
Laser Distance	Panorama: N/A Detail: N/A

Compression Standard

Video Compression	Panorama: S+265/H.265/H.264/M-JPEG Detail: S+265/H.265/H.264/M-JPEG
Video Bit Rate	Panorama: 32Kbps~16Mbps Detail: 32Kbps~16Mbps
Audio Compression	G.711A/G.711U/ADPCM_D/AAC_LC
Audio Sampling Rate	8KHz/32KHz/48KHz

Image

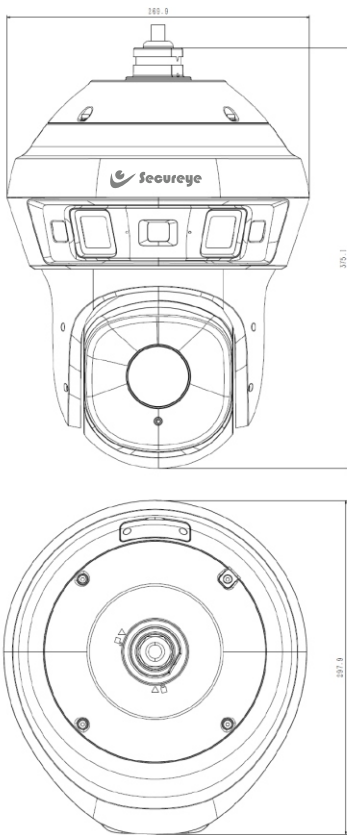
Max. Resolution	Panorama: 3840×1568@25fps Detail: 2560×1440@25fps
Main Stream	Panorama: PAL: 25fps(3840×1568, 3632×1480) NTSC: 30fps(3840×1568, 3632×1480) Detail: PAL: 25fps(2560×1440, 2304×1296, 1920×1080, 1280×720) NTSC: 30fps(2560×1440, 2304×1296, 1920×1080, 1280×720)

Sub Stream	<p>Panorama: PAL:25fps(1200×488, 960×392) NTSC:30fps(1200×488, 960×392)</p> <p>Detail: PAL:25fps(704×576, 704×288, 352×288, 640×360) NTSC:30fps(704×480, 704×240, 352×240, 640×360)</p>
Third Stream	<p>Panorama:N/A</p> <p>Detail: PAL:25fps(704×576, 704×288, 352×288, 640×480) NTSC:30fps(704×480, 704×240, 352×240, 640×480)</p>
BLC	Yes
HLC	Yes
AGC	Yes
White Balance	Yes
ROI	<p>Panorama:7 fixed rectangles and 1 dynamic tracking focus area for each main and secondary stream</p> <p>Detail:7 rectangular 3D fixed focus areas, supporting 1 rectangular dynamic tracking ROI</p>
OSD	<p>Panorama: 5 regions(Each region can have a maximum of 127 characters ,up to 5 lines)</p> <p>Detail: 5 regions(Each region can have a maximum of 127 characters ,up to 5 lines); Panorama: 16*16/32*32/48*48/64*64/96*96/adaptable size</p> <p>Detail: 16*16/32*32/48*48/64*64/96*96/adaptable size; Vector/Lattice</p>
Defog	Yes
Flip	<p>Panorama:N/A</p> <p>Detail:Normal/Horizontal Mirror/Vertical Mirror/Inverted Flip</p>
Regional Exposure	<p>Panorama:N/A</p> <p>Detail:Yes</p>
Regional Focus	<p>Panorama:N/A</p> <p>Detail:Yes</p>
Demist	Yes
Privacy Mask	<p>Panorama:8 regions</p> <p>Detail:24 regions(Up to 4 blocks in the same scene)</p>
Feature	
Alarm Trigger	<p>Panorama:Motion Detection</p> <p>Detail:Motion Detection; Panorama:Mask Alarm</p> <p>Detail:Mask Alarm; Disk Full; Disk R/W Error; Recording Exception; IP Address Conflict; MAC Address Conflict; FTP Server Exception ; Event Input,Event Output; Network cable disconnected</p>
Linkage Method	send email; trigger sound; trigger warmlight; trigger recording; trigger capture; notify surveillance center

Video Analytics	Panorama:Human/Vehicle Classification Detail:Human/Vehicle Classification; Panorama:Tripwire Detail:Tripwire; Panorama:Double Tripwire Detail:Double Tripwire; Panorama:Perimeter Detail:Perimeter; Panorama:N/A Detail:Object Abandon; Panorama:N/A Detail:Object Lost; Panorama:Heatmap Detail:N/A; Panorama:N/A Detail:Loitering; Panorama:N/A Detail:Running; Panorama:N/A Detail:Parking; Panorama:N/A Detail:People Counting; Panorama:N/A Detail:Crowded; Panorama:N/A Detail:Safety Helmet Detection; Panorama:N/A Detail:On Duty Detection; Panorama:Video Abnormal Detail:Video Abnormal; Panorama:Audio Abnormal
Early Warning(EW)	Early Warning(EW)
Auto-Tracking	Auto-Tracking
Face Mode	Panorama:N/A Detail:Capture facial images
Network	
ANR	ANR
Protocols	HTTP; HTTPS; TCP/IP; UDP; UPnP; ICMP; IGMP; SNMP v1/v2/v3; DHCP; DNS; DDNS; Easy DDNS; NTP; SMTP; TLS; SSL; 802.1x; QoS; IPv4; IPv6; PPPOE; SSH; Unicast; Multicast; ARP; RTP; SRTP; RTSP; FTP; SFTP; NAS; PING
System Compatibility	ONVIF Profile S/T/G/M; CGI; Milestone; RTMP
Remote Connection	≤7
User/Host	Up to 32 users. 4 user levels
PC CMS Software	Secureye Smart Client
Mobile APP	Phoenix Pro
Interface	
Communication Interface	1*RJ45 10M/100M/1000M self adaptive Ethernet port
Audio I/O	1*Input Impedance 1kΩ,2.0~2.4Vp-p; 1*Output Impedance 600Ω
Alarm I/O	2*Switching; 1,Switching
Reset Button	Yes
On-board storage	Built-in Micro SD card slot, up to 512 GB
General	
Web Client Language	English/Spanish/Italian/Turkish French/Polish/German/Ukrainian
Operating Temperature	-30°C ~ 65°C(IR OFF) -30°C ~ 40°C(IR ON)
Operating Humidity	0-95%

Storage Temperature	-30°C ~ 65°C
Storage Humidity	0-95%(non-condensing)
Power Supply	AC24V±25%\DC24V±10%; POE IEEE802.3BT
Protection	Surge protection 4000V; Lightning proof 6000V; IP66
Material	Metal and Plastic
Boundary Dimensions	298mm(D)*375mm(H)
Package Dimensions	385(L)*350(W)*540(H)mm
GrossWeight	9.41kg
NetWeight	5.33kg

DIMENSIONS (Unit: mm)



Assembly diagram of Junction Box

