

5MP IP 30X

PTZ CameraIR, White Light, PoE++,
Auto Tracking**SP-H56Q-30X**

Pro Series

**KEY FEATURES**

- Up to 2880×1620@25fps
- Color: 0.001lux@ (F1.6, AGC ON), B/W: 0lux with IR
- Optical Zoom 30X
- IR Range Up to 200m
- Built-in Micro SD Card Slot, up to 512 GB
- Support Smart Surveillance, Capture Facial Images
- Support Human/Vehicle Classification
- Operating Conditions -40°C ~ 70°C (IR OFF)
-40°C ~ 40°C (IR ON), 0-95%
- AC24V±25% / DC24V±10%, IEEE802.3BT
- IP66



SPECIFICATIONS

Camera

Image Sensor	1/2.7"CMOS
Min. Illumination	Color: 0.001lux@ (F1.6, AGC ON), B/W: 0lux with IR
Shutter Time	1s ~ 1/100000s
Day&Night	IR-cut filter with auto switch (ICR)
WDR	120dB

Lens

Focal Length	4.7mm ~ 141mm
Optical Zoom	30X
Digital Zoom	16X
Zoom Speed	<5s
Aperture Range	F1.6 ~ F4.3
Field of View	61.9°~2.5°(H); 35.5°~1.4°(V); 69.1°~2.9°(D)
Focus Control	Auto/Semi-auto/Manual
Iris Control	Auto
Close Focus Distance	100mm~1500mm
DORI Distance	Detect:2600m Observe:1031m Recognize:520m Identify:260m

Pan&Tilt

Pan Range	360°
Tilt Range	-16°~90° (Default -3°~90°)
Tilt Speed	Manual Speed:0.1°~120°/s Preset: 120°/s
3D Position	Yes
Preset	500
Cruise	16, up to 32 presets per cruise
Scan	8
Pattern	8, each with 600s memory or 1000 orders
Scheduled Task	Preset, Cruise, Scan, Pattern
North Point	Yes(Manual setting)
Power-off Memory	Yes

Illuminator

IR LEDs	10
IR Distance	Up to 200m
Wavelength	850nm
IR Irradiation Angle	Adjustable by Zoom
White LEDs	4
Whitelight Distance	30m

Compression Standard

Video Compression	S+265/H.265/H.264/M-JPEG
Video Bit Rate	32Kbps~16Mbps
Audio Compression	G.711A/G.711U/ADPCM_D/AAC_LC
Audio Sampling Rate	8KHz/32KHz/48KHz

Image

Max. Resolution	2880×1620@25fps
Main Stream	PAL:25fps(2880×1620, 2688×1520, 2560×1440, 2304×1296, 1920×1080, 1280×960, 1280×720) NTSC:30fps(2880×1620, 2688×1520, 2560×1440, 2304×1296, 1920×1080, 1280×960, 1280×720)
Sub Stream	PAL:25fps(704×576, 704×288, 352×288, 640×360) NTSC:30fps(704×480, 704×240, 352×240, 640×360)
Third Stream	PAL:25fps(1920×1080, 1280×960, 1280×720, 704×576, 640×480, 704×288, 352×288) NTSC:30fps(1920×1080, 1280×960, 1280×720, 704×480, 640×480, 704×240, 352×240)
BLC	Yes
HLC	Yes
AGC	Yes
White Balance	Yes
ROI	7 rectangular 3D fixed focus areas, supporting 1 rectangular dynamic tracking ROI
OSD	5 regions(Each region can have a maximum of 127 characters ,up to 5 lines); 16*16/24*24/32*32/48*48/64*64/96*96/adaptable size; Vector/Lattice
Defog	Yes
Flip	Normal/Horizontal Mirror/Vertical Mirror/Inverted Flip
Regional Exposure	Yes
Regional Focus	Yes
Demist	Yes
Privacy Mask	24 regions(Up to 4 blocks in the same scene)

Feature

Alarm Trigger	Motion Detection; Mask Alarm; Disk Full; Disk R/W Error; Recording Exception; IP Address Conflict; MAC Address Conflict; FTP Server Exception ; Event Input,Event Output; Network cable disconnected
Linkage Method	send email; trigger sound; trigger warmlight; trigger recording; trigger capture; notify surveillance center
Video Analytics	Human/Vehicle Classification; Tripwire; Double Tripwire; Perimeter; Object Abandon; Object Lost; Heatmap; Loitering; Running; Parking; People Counting; Crowded; Safety Helmet Detection; On Duty Detection; Video Abnormal; Audio Abnormal
Early Warning(EW)	Early Warning(EW)
Auto-Tracking	Auto-Tracking
Face Mode	Capture facial images

Network

ANR	ANR
Protocols	HTTP; HTTPS; TCP/IP; UDP; UPnP; ICMP; IGMP; SNMP v1/v2/v3; DHCP; DNS; DDNS; Easy DDNS; NTP; SMTP; TLS; SSL; 802.1x; QoS; IPv4; IPv6; PPPOE; SSH; Unicast; Multicast; ARP; RTP; SRTP; RTSP; FTP; SFTP; NAS; PING
System Compatibility	ONVIF Profile S/T/G/M; CGI; Milestone; RTMP
Remote Connection	≤7
User/Host	Up to 32 users. 4 user levels
PC CMS Software	Secureye Smart Client
Mobile APP	Phoenix Pro

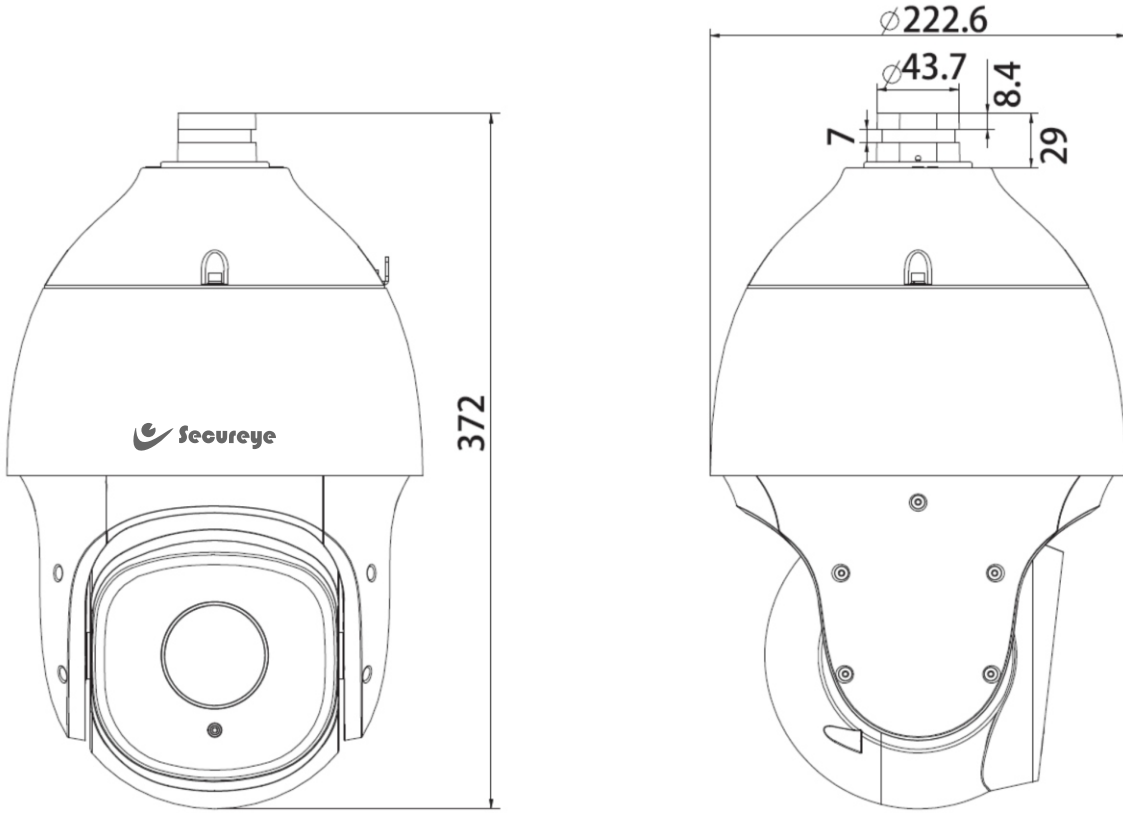
Interface

Communication Interface	1*RJ45 10M/ 100M self adaptive Ethernet port
Audio I/O	1*Input Impedance 1k Ω ,2.0~2.4Vp-p; 1*Output Impedance 600 Ω
Alarm I/O	8,Switching; 2,Switching,Voltage \leq DC24V,Current \leq 1A
Reset Button	Yes
On-board storage	Built-in Micro SD card slot, up to 512 GB
RS-485	RS-485
Wiper	Yes

General

Web Client Language	English/Spanish/Italian/Turkish French/Polish/German/Ukrainian
Operating Temperature	-40 $^{\circ}$ C~70 $^{\circ}$ C(IR OFF) -40 $^{\circ}$ C~40 $^{\circ}$ C(IR ON)
Operating Humidity	0-95%
Storage Temperature	-40 $^{\circ}$ C~70 $^{\circ}$ C
Storage Humidity	0-95%(non-condensing)
Power Supply	AC24V \pm 25%\DC24V \pm 10%; IEEE802.3BT
Protection	Surge protection 4000V; Lightning proof 6000V; IP66
Material	Metal
Boundary Dimensions	222mm(D)x372mm(H)
Package Dimensions	320(L)*320(W)*520(H)mm
GrossWeight	8.45kg
NetWeight	5.3Kg

DIMENSIONS (Unit: mm)



Assembly diagram of Junction Box

