

# 5MP IP 23X PTZ Camera

IR, PoE, Intelligent

## P-H54S-23X

Pro Series



### KEY FEATURES

- Up to 2880×1620@25fps
- Color: 0.001Lux@ (F1.6, AGC ON), B/W: 0Lux with IR
- S+265/H.265/H.264/M-JPEG
- Optical Zoom 23X
- IR Range Up to 150m
- Built-in Micro SD Card Slot, up to 512 GB
- Support Smart Surveillance, Capture Facial Images
- Support Human/Vehicle Classification
- Operating Conditions -30°C ~ 65°C(IR OFF), -30°C ~ 40°C(IR ON), 0~95%
- DC12V±10%, POE IEEE802.3AT
- IP66



## SPECIFICATIONS

### Camera

Image Sensor	1/2.7"CMOS
Min. Illumination	Color: 0.001lux@ (F1.6, AGC ON), B/W: 0lux with IR
Shutter Time	1s ~ 1/100000s
Day&Night	IR-cut filter with auto switch (ICR)
WDR	120dB

### Lens

Focal Length	5mm ~ 115mm
Optical Zoom	23X
Digital Zoom	16X
Zoom Speed	<5s
Aperture Range	F1.67 ~ F3.67
Field of View	58° ~ 3.2°(H); 33.9° ~ 1.9°(V); 64.8° ~ 3.6°(D)
Focus Control	Auto/Semi-auto/Manual
Iris Control	Auto
Close Focus Distance	500mm ~ 5000mm
DORI Distance	Detect:1980m Observe:785m Recognize:396m Identify:198m

### Pan&Tilt

Pan Range	360°
Tilt Range	-16° ~ 90° (Default -3° ~ 90°)
Tilt Speed	Manual Speed:0.1° ~ 80°/s Preset: 80°/s
3D Position	Yes
Preset	500
Cruise	16, up to 32 presets per cruise
Scan	8
Pattern	8, each with 600s memory or 1000 orders
Scheduled Task	Preset, Cruise, Scan, Pattern
North Point	Yes(Manual setting)
Power-off Memory	Yes

### Illuminator

IR LEDs	7
IR Distance	Up to 150m
Wavelength	850nm
IR Irradiation Angle	Adjustable by Zoom

### Compression Standard

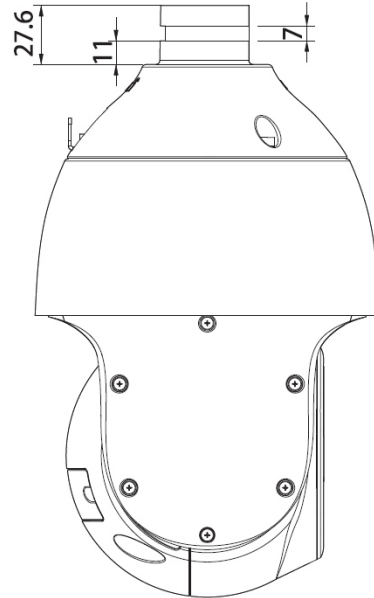
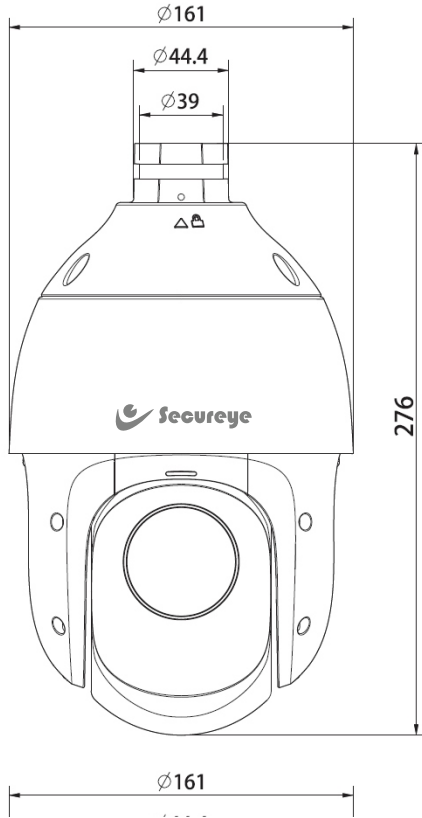
Video Compression	S+265/H.265/H.264/M-JPEG
Video Bit Rate	32Kbps~16Mbps
Audio Compression	G.711A/G.711U/ADPCM_D/AAC_LC
Audio Sampling Rate	8KHz/32KHz/48KHz

Image	
Max. Resolution	2880×1620@25fps
Main Stream	PAL: 25fps(2880×1620, 2688×1520, 2560×1440, 2304×1296, 1920×1080, 1280×720) NTSC: 30fps(2880×1620, 2688×1520, 2560×1440, 2304×1296, 1920×1080, 1280×720)
Sub Stream	PAL: 25fps(704×576, 704×288, 352×288, 640×360) NTSC: 30fps(704×480, 704×240, 352×240, 640×360)
Third Stream	PAL: 25fps(704×576, 704×288, 352×288, 640×480) NTSC: 30fps(704×480, 704×240, 352×240, 640×480)
BLC	Yes
HLC	Yes
AGC	Yes
White Balance	Yes
ROI	7 Dynamic Areas for Both Main and Sub Stream
OSD	5 regions(Each region can have a maximum of 127 characters ,up to 5 lines); 16*16/24*24/32*32/48*48/64*64/96*96/adaptable size; Vector/Lattice
Defog	Yes
Flip	Normal/Horizontal Mirror/Vertical Mirror/Inverted Flip
Regional Exposure	Yes
Regional Focus	Yes
Demist	Yes
Privacy Mask	24 regions (Up to 4 blocks in the same scene)
Feature	
Alarm Trigger	Motion Detection; Mask Alarm; Voltage Alarm; Disk Full; Disk R/W Error; Recording Exception; IP Address Conflict; MAC Address Conflict; FTP Server Exception ; Event Input,Event Output; Network cable disconnected
Linkage Method	send email; trigger sound; trigger recording; trigger capture; notify surveillance center
Video Analytics	Human/Vehicle Classification; Tripwire; Double Tripwire; Perimeter; Object Abandon; Object Lost; Heatmap; Loitering; Running; Parking; People Counting; Crowded; Safety Helmet Detection; On Duty Detection; Video Abnormal; Audio Abnormal
Face Mode	Capture facial images
Network	
ANR	ANR
Protocols	HTTP; HTTPS; TCP/IP; UDP; UPnP; ICMP; IGMP; SNMP v1/v2/v3; DHCP; DNS; DDNS; Easy DDNS; NTP; SMTP; TLS; SSL; 802.1x; QoS; IPv4; IPv6; PPPOE; SSH; Unicast; Multicast; ARP; RTP; SRTP; RTSP; FTP; SFTP; NAS; PING
System Compatibility	ONVIF Profile S/T/G/M; CGI; Milestone; RTMP
Remote Connection	≤7
User/Host	Up to 32 users. 4 user levels
PC CMS Software	Secureye Smart Client
Mobile APP	Phoenix Pro
Interface	
Communication Interface	1*RJ45 10M/ 100M self adaptive Ethernet port
Audio I/O	1*Input Impedance 1kΩ,2.0~2.4Vp-p; 1*Output Impedance 600Ω
Alarm I/O	1,Switching; 1,Switching,Voltage≤DC24V,Current≤1A
Reset Button	Yes
On-board storage	Built-in Micro SD card slot, up to 512 GB

**General**

Web Client Language	English/Spanish/Italian/Turkish French/Polish/German/Ukrainian
Operating Temperature	-30°C ~ 65°C(IR OFF) -30°C ~ 40°C(IR ON)
Operating Humidity	0-95%
Storage Temperature	-30°C ~ 65°C
Storage Humidity	0-95%(non-condensing)
Power Supply	DC12V±10%; POE IEEE802.3AT
Protection	Surge protection 4000V; Lightning proof 6000V; IP66
Material	Metal and Plastic
Boundary Dimensions	161mm(D)x276mm(H)
Package Dimensions	260(L)*260(W)*465(H)mm
GrossWeight	3.9kg
NetWeight	2.2kg

**DIMENSIONS (Unit: mm)**



**Assembly diagram of Junction Box**

