

# 2MP IP 33X PTZ Camera

IR, PoE+, Auto Tracking

## SP-H26S-33X

Pro Series



### KEY FEATURES

- Up to 1920×1080@25fps
- Color: 0.001lux@ (F1.6, AGC ON), B/W: 0lux with IR
- S+265/H.265/H.264/M-JPEG
- Optical Zoom 33X
- IR Range Up to 200m
- Built-in Micro SD card slot, up to 512 GB
- Support Smart Surveillance, Capture Facial Images
- Support Human/Vehicle Classification
- Operating Conditions -40°C ~ 70°C (IR OFF)  
-40°C ~ 40°C (IR ON), 0-95%
- DC12V±10%, PoE IEEE802.3AT
- IP66



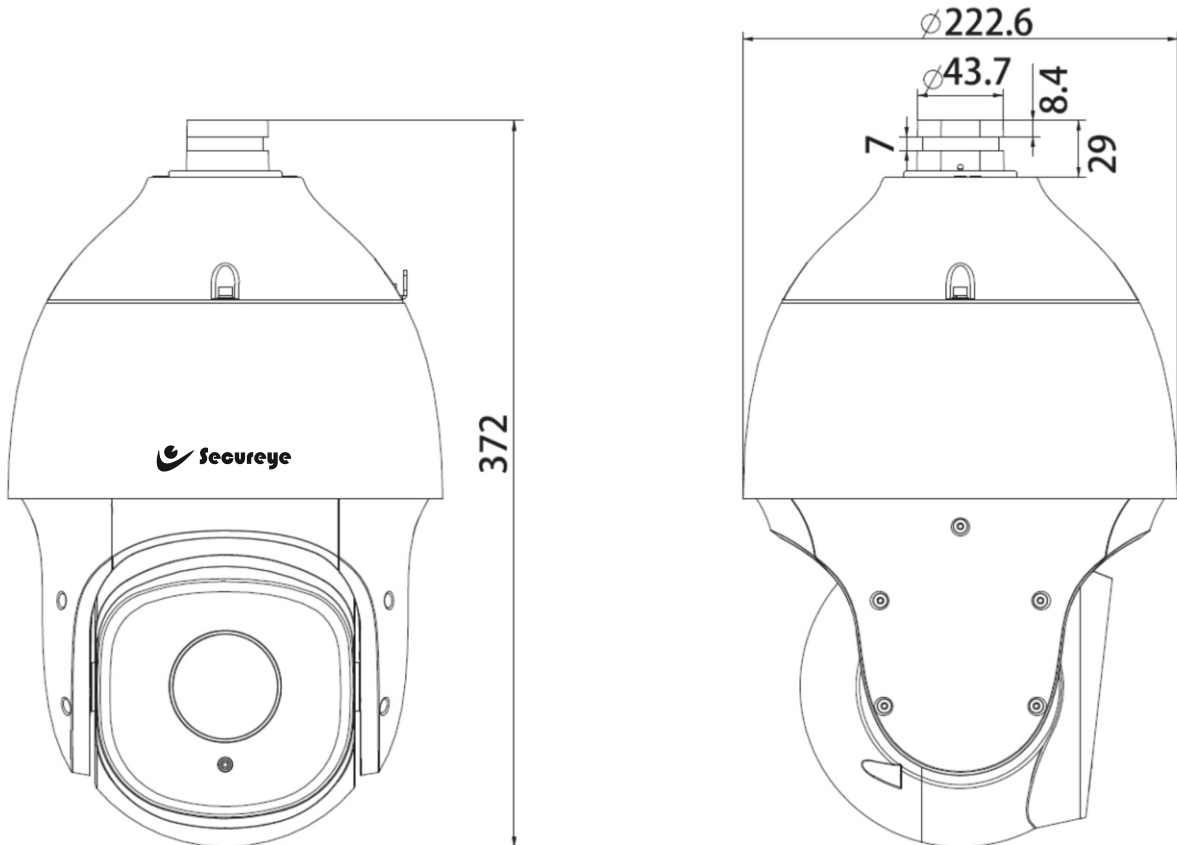
## SPECIFICATIONS

Camera	
Image Sensor	1/2.8"CMOS
Min. Illumination	Color: 0.001lux@ (F1.6, AGC ON), B/W: 0lux with IR
Shutter Time	1s~1/100000s
Day&Night	IR-cut filter with auto switch (ICR)
WDR	120dB
Lens	
Focal Length	4.6mm ~ 152mm
Optical Zoom	33X
Digital Zoom	16X
Zoom Speed	<5s
Aperture Range	F1.6 ~ F4.3
Field of View	60° ~ 2.4°(H); 34.4° ~ 1.4°(V); 66.7° ~ 2.8°(D)
Focus Control	Auto/Semi-auto/Manual
Iris Control	Auto
Close Focus Distance	100mm~1500mm
DORI Distance	Detect:1793m Observe:711m Recognize:358m Identify:179m
Pan&Tilt	
Pan Range	360°
Tilt Range	-16° ~ 90° (Default -3° ~ 90°)
Tilt Speed	Manual Speed:0.1° ~ 120°/s Preset: 120°/s
3D Position	Yes
Preset	500
Cruise	16, up to 32 presets per cruise
Scan	8
Pattern	8, each with 600s memory or 1000 orders
Scheduled Task	Preset, Cruise, Scan, Pattern
North Point	Yes(Manual setting)
Power-off Memory	Yes
Illuminator	
IR LEDs	10
IR Distance	Up to 200m
Wavelength	850nm
IR Irradiation Angle	Adjustable by Zoom
Compression Standard	
Video Compression	S+265/H.265/H.264/M-JPEG
Video Bit Rate	32Kbps~16Mbps
Audio Compression	G.711A/G.711U/ADPCM_D/AAC_LC
Audio Sampling Rate	8KHz/32KHz/48KHz

Image	
Max. Resolution	1920×1080@25fps
Main Stream	PAL:25fps(1920×1080, 1280×960, 1280×720, 640×480, 704×576) NTSC:30fps(1920×1080, 1280×960, 1280×720, 640×480, 704×480)
Sub Stream	PAL:25fps(704×576, 704×288, 352×288, 640×360) NTSC:30fps(704×480, 704×240, 352×240, 640×360)
Third Stream	PAL: 25fps(1920×1080, 1280×960, 1280×720, 704×576, 640×480, 704×288, 352×288) NTSC: 30fps(1920×1080, 1280×960, 1280×720, 704×480, 640×480, 704×240, 352×240)
BLC	Yes
HLC	Yes
AGC	Yes
White Balance	Yes
ROI	7 rectangular 3D fixed focus areas, supporting 1 rectangular dynamic tracking ROI
OSD	5 regions(Each region can have a maximum of 127 characters, up to 5 lines); 16*16/24*24/32*32/48*48/64*64/adaptable size; Vector/Lattice
Defog	Yes
Flip	Normal/Horizontal Mirror/Vertical Mirror/Inverted Flip
Regional Exposure	Yes
Regional Focus	Yes
Demist	Yes
Privacy Mask	24 regions(Up to 4 blocks in the same scene)
Feature	
Alarm Trigger	Motion Detection; Mask Alarm; Voltage Alarm; Disk Full; Disk R/W Error; Recording Exception; IP Address Conflict; MAC Address Conflict; FTP Server Exception ; Event Input,Event Output; Network cable disconnected
Linkage Method	Send email; trigger sound; trigger recording; trigger capture; notify surveillance center
Video Analytics	Human/Vehicle Classification; Tripwire; Double Tripwire; Perimeter; Object Abandon; Object Lost; Heatmap; Loitering; Running; Parking; People Counting; Crowded; Safety Helmet Detection; On Duty Detection; Video Abnormal; Audio Abnormal
Auto-Tracking	Auto-Tracking
Face Mode	Capture facial images
Network	
ANR	ANR
Protocols	HTTP; HTTPS; TCP/IP; UDP; UPnP; ICMP; IGMP; SNMP v1/v2/v3; DHCP; DNS; DDNS; Easy DDNS; NTP; SMTP; TLS; SSL; 802.1x; QoS; IPv4; IPv6; PPPOE; SSH; Unicast; Multicast; ARP; RTP; SRTP; RTSP; FTP; SFTP; NAS; PING
System Compatibility	ONVIF Profile S/T/G/M; CGI; Milestone; RTMP
Remote Connection	≤7
User/Host	Up to 32 users. 4 user levels
PC CMS Software	Secureeye Smart Client
Mobile APP	Phoenix Pro

Interface	
Communication Interface	1*RJ45 10M/ 100M self adaptive Ethernet port
Audio I/O	1*Input Impedance 1k $\Omega$ ,2.0~2.4Vp-p; 1*Output Impedance 600 $\Omega$
Alarm I/O	1,Switching; 1,Switching,Voltage $\leq$ DC24V,Current $\leq$ 1A
Reset Button	Yes
On-board storage	Built-in Micro SD card slot, up to 512 GB
General	
Web Client Language	English/Spanish/Italian/Turkish French/Polish/German/Ukrainian
Operating Temperature	-40 $^{\circ}$ C ~ 70 $^{\circ}$ C(IR OFF) -40 $^{\circ}$ C ~ 40 $^{\circ}$ C(IR ON)
Operating Humidity	0 ~ 95%
Storage Temperature	-40 $^{\circ}$ C ~ 70 $^{\circ}$ C
Storage Humidity	0 ~ 95%(non-condensing)
Power Supply	DC12V $\pm$ 10%; PoE IEEE802.3AT
Protection	Surge protection 4000V; Lightning proof 6000V; IP66
Material	Metal
Boundary Dimensions	222mm(D)x372mm(H)
Package Dimensions	320(L)*320(W)*520(H)mm
GrossWeight	7.8Kg
NetWeight	5.3Kg

**DIMENSIONS (Unit: mm)**



**Assembly diagram of Junction Box**

