

# 5MP IP Fisheye Dome Camera

30m IR, PoE, Audio, 1.4mm



## SP-C5VN-I3

Fisheye Series

### KEY FEATURES

- Metal+Plastic Housing
- Up to Max. Resolution
- S+265/H.265/H.264B/H.264M/H.264H/Motion JPEG
- Color:0.02Lux@(F2.0,AGC ON),B/W:0Lux with IR
- IR Range 30m
- Built-in Mic
- Support microSD/microSDHC/microSDXC Card, up to 512 GB
- Support Smart Surveillance
- Support Human/Vehicle Classification
- Operating Conditions -40°C ~65°C (No turning on the light), Humidity 95% or Less (no condensation)
- DC12V±25%, MAX 8.5W, POE 802.3at,MAX 9.5W

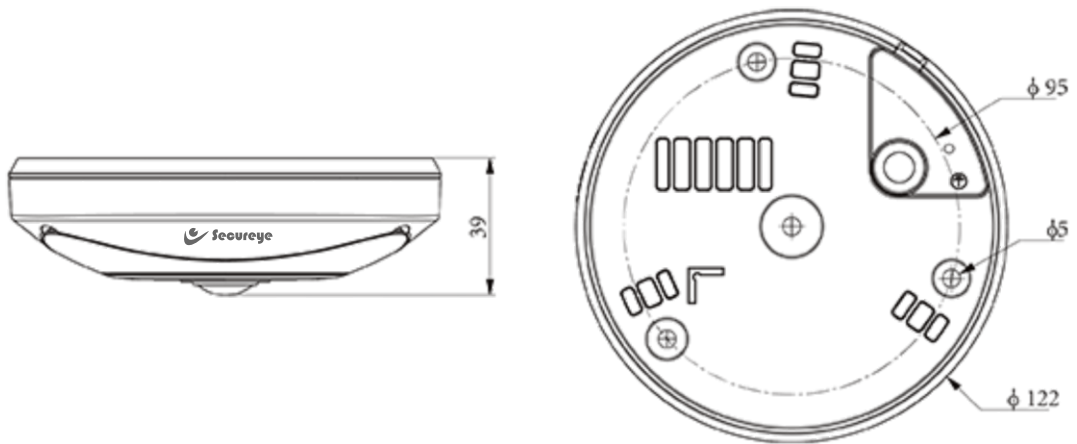


## SPECIFICATIONS

Camera	
Image Sensor	1/2.7"CMOS
Min. Illumination	Color:0.02Lux@(F2.0,AGC ON),B/W:0Lux with IR
Shutter Time	1s~1/100000s
Day&Night	IR-cut filter with auto switch (ICR)
WDR	120dB
S/N	>39dB
Lens	
Lens Type	Fixed focal lens
Focal Length	1.4mm
Lens Mount	M12
Aperture Range	F2.0
Field of View	180°(H); 180°(V); 180°(D)
DORI Distance	Detect:24m Observe:9m Recognize:4.8m Identify:2.5m
Illuminator	
IR LEDs	3
IR Distance	30m
Wavelength	850nm
Compression Standard	
Video Compression	S+265/H.265/H.264B/H.264M/H.264H/Motion JPEG
Video Bit Rate	32k~16Mbps
Audio Compression	G.711A/G.711U/ADPCM_D/AAC_LC
Audio Sampling Rate	8kHz/32kHz/48kHz
Image	
Main Stream	PAL:25fps(2592×1944, 2560×1440, 1920×1080, 1280×720) NTSC:30fps(2592×1944, 2560×1440, 1920×1080, 1280×720)
Sub Stream	PAL:25fps(704×576, 640×360, 704×288, 352×288) NTSC:30fps(704×480, 640×360, 704×240, 352×240)
Third Stream	PAL:25fps(1920×1080, 1280*720) NTSC:30fps(1920×1080, 1280*720)
BLC	Yes
HLC	Yes
AGC	Yes
3D DNR	Yes
White Balance	Auto/Semi-Auto/Manual/Sunshine/Nature Light/Warmlight Lamp/Daylight Lamp/Filament Lamp/Lock White Balance
ROI	8 rectangular static areas
OSD	Overlay of additional characters in 5 regions, 2 lines, with a maximum of 127 characters
Picture Overlay	1*200x200 size BMP 24 color bit image overlay
Privacy Mask	4 black static areas
Defog	Yes

Feature	
Alarm Trigger	Motion Detection; Mask Alarm; Voltage Alarm; Disk Full; Disk R/W Error; IP Address Conflict; MAC Address Conflict; FTP Server Exception ; Event Input, Event Output
Linkage Method	send email; trigger sound; trigger recording; trigger capture; notify surveillance center
Video Analytics	Human/Vehicle Classification; Tripwire; Perimeter
Rules of behavior analyse in 1 scene	8
Network	
ANR	Yes
Protocols	HTTP; HTTPS; TCP/IP; UDP; UPnP; ICMP; IGMP; SNMP; DHCP; DNS; DDNS; Easy DDNS; NTP; SMTP; SSL; 802.1X; QoS; IPv4; IPv6; PPPOE; SSH; Unicast; Multicast; RTCP; ARP; SRTP; RTSP; FTP; SFTP; NAS
System Compatibility	ONVIF Profile S/T/G; CGI; Milestone; RTMP
Remote Connection	≤7
PC CMS Software	Secureeye Smart Client
Mobile APP	Phoenix Pro
Interface	
Communication Interface	1*RJ-45,10/100 Mbps self-adaptive Ethernet port
Audio I/O	1; 1
Alarm I/O	1-ch,TTL input,3mA,3.3VDC; 1-ch,TTL output,30mA,12VDC
Reset Button	Yes
On-board storage	Support microSD/microSDHC/microSDXC card, up to 512 GB
RTC	Yes
General	
Web Client Language	English/Spanish/Italian/Turkish French/Polish/German/Ukrainian
Operating Temperature	-40°C~65°C(No turning on the light)
Operating Humidity	Humidity 95% or less (no condensation)
Storage Temperature	-40°C~65°C
Storage Humidity	Humidity 95% or less (no condensation)
Power Supply	DC12V±25%,MAX 8.5W; POE 802.3at,MAX 9.5W
Protection	Surge4000V; ESD6000V
Boundary Dimensions	122(L)122(W)39(H)mm
Package Dimensions	140(L)140(W)120(H)mm
GrossWeight	0.416kg

**DIMENSIONS (Unit: mm)**



**Assembly diagram of Junction Box**

