

4MP IP Dome Camera

30M IR, White Light PoE,
Audio, 2.8mm



SP-C4XN-I3W
Color Master Series

KEY FEATURES

- Metal+Plastic Housing
- Up to 2688X1520@25fps
- S+265/H.265/H.264
- Min. Illumination Color: 0.02Lux@F1.6
- 2 Warm lights, 15m
- Smart IR, IR Range: 30m
- Built-in Mic
- Operating Conditions -30°C ~ 60°C, 0~95% RH
- Support Tripwire and Perimeter
- DC12V, POE

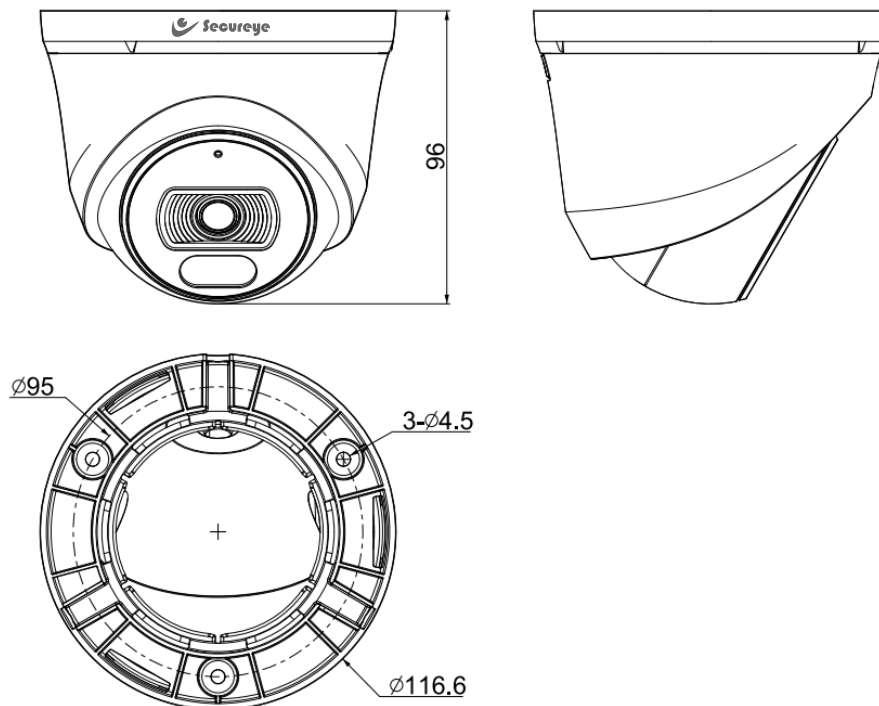


Camera	
Image Sensor	1/2.9"CMOS
Min. Illumination	Color:0.02Lux@(F1.6,AGC ON),B/W:0Lux with IR
Shutter Time	1s-1/100000s
Day&Night	IR-cut filter with auto switch (ICR)
WDR	120dB
S/N	>40dB
Angle Adjustment	0-340°; 0-75°; 0-360°
Lens	
Lens Type	Fixed
Focal Length	2.8mm
Lens Mount	M12
Aperture Range	F1.6, Fixed
Field of View	100.1°(H); 54.3°(V); 113.9°(D)
DORI Distance	Detect: 56.0m Observe: 22.2m Recognize: 11.2m Identify: 5.6m
Illuminator	
IR LEDs	2
IR Distance	30m
Wavelength	850nm
White LEDs	2
Whitelight Distance	15m
Compression Standard	
Video Compression	S+265/H.265/H.264B/H.264M/H.264H
Video Bit Rate	32k-6Mbps
Audio Compression	G.711A/G.711U/ADPCM_D
Audio Sampling Rate	8kHz/32kHz/48kHz

Image	
Max. Resolution	2688x1520@25fps
Main Stream	PAL: 25fps(2688x1520, 2560x1440, 2304x1296, 1920x1080, 1280x720) NTSC: 24fps(1688x1520, 2560x1440) 30fps(2304x1296, 1920x1080, 1280x720)
Sub Stream	PAL: 25fps(704x576, 704x288, 352x288, 640x360) NTSC: 30fps(704x480, 704x240, 352x240, 640x360)
BLC	Yes
HLC	Yes
AGC	Yes
3D DNR	Yes
White Balance	Auto/Semi-auto/Manual/Sunny/Natural light/Warm light/Sodium lamp/Incandescent lamp/Locked white balance
ROI	8 regions
OSD	1regions;16*16/32*32/48*48/64*64
Privacy Mask	4 regions
Defog	Yes
Feature	
Alarm Trigger	Motion Detection; Mask Alarm; IP Address Conflict
Linkage Method	Trigger Warmlight; Trigger Capture
Video Analytics	Tripwire; Perimeter
Rules of behavior analyze in 1 scene	2

Network	
Protocols	HTTP;HTTPS;TCP/IP;UDP;UPnP;ICMP;DHCP;DNS;DDNS;Easy DDNS;NTP;QoS;IPv4;SSH;Unicast;RTSP;FTP
System Compatibility	P2P(Mutually exclusive with Profile G); Onvif Profile S/T; CGI; MIL STONE
Remote Connection	<2
PC CMS Software	Secureeye Smart Client
Mobile APP	Phoenix Pro
Web	IE10+; Firefox52+; Edge89+; Safari11+; Chrome57+
Interface	
Communication Interface	1RJ45 10M/ 100M self adaptive Ethernet port
General	
Web Client Language	English/Spanish/Italian/Turkish French/Polish/German/Ukrainian
Operating Temperature	-30°C-60°C
Operating Humidity	0-95%
Storage Temperature	-30°C-60°C
Storage Humidity	0-95%(non-condensing)
Power Supply	DC12V+25%, MAX 6.5W; POE 802.3af, MAX 7W
Protection	Surge Protection 2000V; Lightning Proof 6000V
Boundary Dimensions	117(L)117(W)96(H)mm
Package Dimensiond	140(L)140(W)120(H)mm
GrossWeight	0.35Kg
NetWeight	0.25Kg

DIMENSIONS (Unit: mm)



ACCESSORIES

