

4MP IP Dome Camera

30M IR, Motorized, PoE,
Audio, 2.8-12mm

SP-C4KN-I3 Pro Series



KEY FEATURES

- Plastic Housing
- Motorized Lens 2.8-12mm
- Up to 2688x1520@25fps
- S+265/H.265/H.264
- Min. Illumination Color: 0.02Lux@F1.6
- Smart IR, IR Range: 30m
- Support Tripwire and Perimeter
- Built-in Mic, Support Max 512G Micro SD Card
- Operating Conditions -30°C ~ 60°C, 0 ~ 95% RH
- DC12V, POE(802.3af)
- IP66



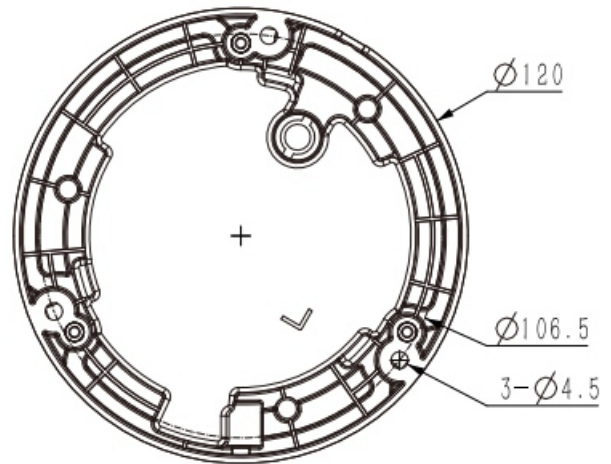
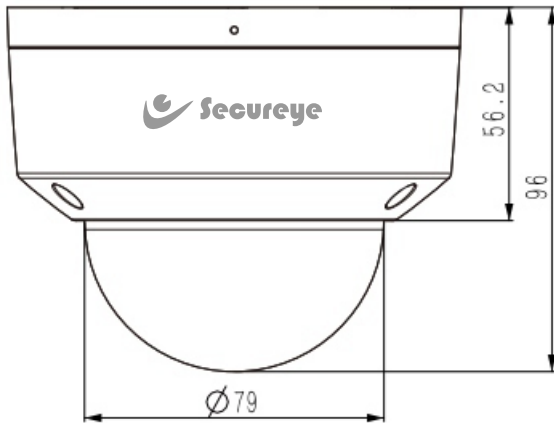
SPECIFICATIONS

Camera	
Image Sensor	1/2.9"CMOS
Min. Illumination	Color:0.02Lux@(F1.6,AGC ON),B/W:0Lux with IR
Shutter Time	1s-1/100000s
Day&Night	IR-cut filter with auto switch (ICR)
WDR	120dB
S/N	>40dB
Angle Adjustment	0-330°; 0-75°; 0-350°
Lens	
Lens Type	Motorized
Focal Length	2.8-12mm
Lens Mount	Φ 14
Aperture Range	F1.6, Fixed
Field of View	104.7°-30.3°(H); 56.5°-17.2°(V); 120.9°-34.8°(D)
DORI Distance	Wide Angle: Detect:56.0m Observe:22.2m Recognize:11.2m Identify:5.6m Telephoto Angle: Detect:240.0m Observe:95.2m Recognize:48.0m Identify:24.0m
Illuminator	
IR LEDs	4
IR Distance	30m
Wavelength	850nm
Compression Standard	
Video Compression	S+265/H.265/H.264B/H.264M/H.264H
Video Bit Rate	32k-6Mbps
Audio Compression	G.711A/G.711U
Audio Sampling Rate	8kHz

Image	
Max. Resolution	2688x1520@25fps
Main Stream	PAL: 25fps(2688x1520, 2560x1440, 2304x1296, 1920x1080, 1280x720,) NTSC: 24(2688x1520, 2560x1440) 30fps(2304x1296, 1920x1080, 1280x720)
Sub Stream	PAL: 25fps(704x576, 704x288, 640x360, 352x288) NTSC: 30fps(704x480, 704x240, 640x360, 352x240)
BLC	Yes
HLC	Yes
AGC	Yes
3D DNR	Yes
White Balance	Auto/Semi-auto/Manual/Sunny/Natural light/Warm light/Sodium lamp/ Incandescent lamp/Locked white balance
ROI	8 regions
OSD	1 regions; 16*16/32*32/48*48/64*64
Privacy Mask	4 regions
Defog	Yes
Feature	
Alarm Trigger	Motion Detection; Mask Alarm; Disk Full; Disk R/W Error; IP Address Conflict
Linkage Method	Trigger Recording; Trigger Capture; Notify Surveillance Center
Video Analytics	Tripwire; Perimeter
Rules of behavior analyse in 1 scene	2

Network	
ANR	ANR
Protocols	HTTP;HTTPS;TCP/IP;UDP;UPnP;ICMP;DHCP;DNS;DDNS;Easy DDNS;NTP;QoS;IPv4;SSH;Unicast;RTSP;FTP
System Compatibility	P2P(Mutually exclusive with Profile G); Onvif Profile S/T/G; CGI; MIL STONE
Remote Connection	≤2
PC CMS Software	Secureeye Smart Client
Mobile APP	Phoenix Pro
Web	IE10+; Firefox52+; Edge89+; Safari11+; Chrome57+
Interface	
Communication Interface	1RJ45 10M/100M self adaptive Ethernet port
Built-In Mic	Yes
Reset Button	Yes(built-in)
On-board storage	Built-in Micro SD card slot, up to 512 GB
General	
Web Client Language	English/Spanish/Italian/Turkish French/Polish/German/Ukrainian
Operating Temperature	-30°C ~ 60°C
Operating Humidity	0 ~ 95%
Storage Temperature	-30°C ~ 60°C
Storage Humidity	0 ~ 95%(non-condensing)
Power Supply	DC12V±25%,MAX 6.5W;POE 802.3af,MAX 7W
Protection	Surge Protection 2000V; Lightning Proof 6000V; Ip66
Boundary Dimensions	120(L)120(W)96(H)mm
Package Dimensiond	140(L)140(W)120(H)mm
GrossWeight	0.5Kg
NetWeight	0.39Kg

DIMENSIONS (Unit: mm)



ACCESSORIES

