

2MP IP Bullet Camera

30M IR, PoE, Audio, 4mm



SP-C2QN-I3

Vivid Pro Series

KEY FEATURES

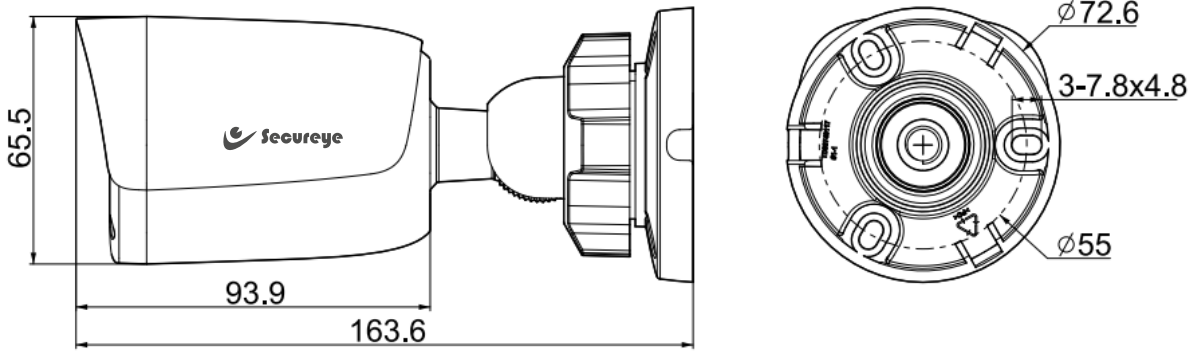
- Metal+Plastic Housing
- Up to 1920x1080@30fps
- S+265/H.265/H.264
- Min. Illumination Color: 0.04Lux@F2.2
- Smart IR, IR Range: 30m
- Built-in Mic
- Operating Conditions -30°C~60°C, 0~95% RH
- POE, IP67
- Support Motion Detection



Camera	
Image Sensor	1/3"CMOS
Min. Illumination	Color:0.04Lux@(F2.2,AGC ON), B/W:0Lux with IR
Shutter Time	1s-1/100000s
Day&Night	IR-cut filter with auto switch (ICR)
WDR	DWDR
S/N	>37dB
Angle Adjustment	0-360°; 0-80°; 0-360°
Lens	
Lens Type	Fixed
Focal Length	4mm
Lens Mount	M12
Aperture Range	F2.2,Fixed
Field of View	76°(H); 41.2°(V); 87(D)
DORI Distance	Detect: 57.1m Observe: 22.6m Recognize: 11.4m Identify: 5.7m
Illuminator	
IR LEDs	2
IR Distance	30m
Wavelength	850nm
Compression Standard	
Video Compression	S+265/H.265/H.264B/H.264M/H.264H
Video Bit Rate	32k-4Mbps
Audio Compression	G.711A/G.711U
Audio Sampling Rate	8kHz
Image	
Max. Resolution	1920x1080@30fps
Main Stream	PAL:25fps(1920x1080, 1280x720, 704x576, 640x480) NTSC:30fps(1920x1080, 1280x720, 704x480, 640x480)
Sub Stream	PAL:25fps(704x576, 704x288, 352x288, 640x360) NTSC:30fps(704x480, 704x240, 352x240, 640x360)
BLC	YES
HLC	YES
AGC	YES
3D DNR	YES

White Balance	Auto/Semi-auto/Manual
OSD	1regions;16*16/32*32/48*48
Privacy Mask	4 regions
Defog	Yes
Feature	
Alarm Trigger	Motion Detection
Network	
Protocols	HTTP;TCP/IP;UDP;ICMP;DHCP;DNS;NTP;IPv4;Telnet;Unicast
System Compatibility	Onvif Profile S/T
Remote Connection	1
Web	IE10+;Firefox52+;Edge89+;Safari11+;Chrome57+
Interface	
Communication Interface	1 RJ45 10M/100M self adaptive Ethernet Port
Built-In Mic	Yes
General	
Web Client Language	English
Operating Temperature	-30°C-60°C
Operating Humidity	0-95%
Storage Temperature	-30°C-60°C
Storage Humidity	0-95%(non-condensing)
Power Supply	POE 802.3af;MAX 6W
Protection	Surge protection 2000V;Lightning proof 6000V;IP67
Boundary Dimensions	164(L)73(W)73(H)mm
Package Dimensions	180(L)90(W)95(H)mm
Gross Weight	0.3kg
Net Weight	0.22kg

DIMENSIONS (Unit: mm)



ACCESSORIES

