

2 MP IP Dome Camera

30M IR, PoE, Audio,
Eco Series, TF Slot, 2.8mm



SP-C2KS-I3 Pro Series

KEY FEATURES

- Metal+Plastic Housing
- Up to 1920x1080@30fps
- S+265/H.265/H.264
- Min. illumination Color: 0.002Lux@F1.6
- Smart IR, IR Range: 30m
- Support Tripwire and Perimeter
- Built-in Mic, Support Max 512G Micro SD Card
- Operating Conditions -30°C ~ 60°C, 0 ~ 95% RH
- POE, IP66, IK10



PH@ENIX

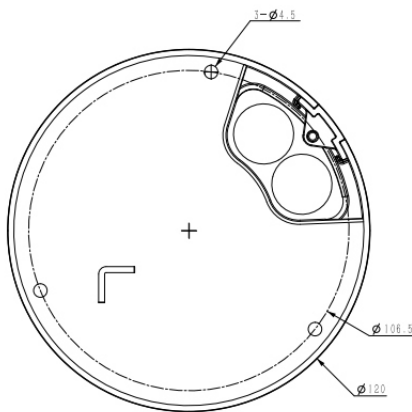
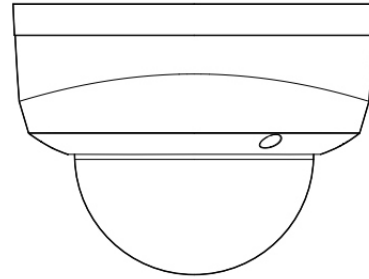
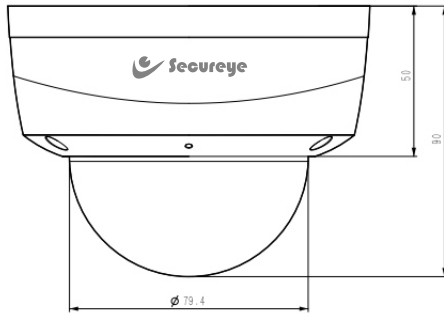
SPECIFICATIONS

Camera	
Image Sensor	1/2.8" CMOS
Min. Illumination	Color:0.002Lux@(F1.6,AGC ON),B/W:0Lux with IR
Shutter Time	1s-1/100000s
Day&Night	IR-cut filter with auto switch (ICR)
WDR	120dB
S/N	>40dB
Angle Adjustment	0-330°; 0-75°; 0-350°
Lens	
Lens Type	Fixed
Focal Length	2.8mm
Lens Mount	M12
Aperture Range	F1.6, Fixed
Field of View	100.6°(H); 56.5°(V); 115.4°(D)
DORI Distance	Detect: 38.6m Observe: 15.3m Recognize: 7.7m Identify: 3.8m
Illuminator	
IR LEDs	8
IR Distance	30m
Wavelength	850nm
Compression Standard	
Video Compression	S+265/H.265/H.264B/H.264M/H.264H
Video Bit Rate	32k-6Mbps
Audio Compression	G.711A/G.711U/ADPCM_D
Audio Sampling Rate	8kHz/32kHz/48kHz

Image	
Max. Resolution	1920x1080@30fps
Main Stream	PAL: 25fps(1920x1080, 1280x720, 640x480, 704x576) NTSC: 30fps(1920x1080, 1280x720, 640x480, 704x480)
Sub Stream	PAL: 25fps(704x576, 704x288, 640x360, 352x288) NTSC: 30fps(704x480, 704x240, 640x360, 352x240)
BLC	Yes
HLC	Yes
AGC	Yes
3D DNR	Yes
White Balance	Auto/Semi-auto/Manual/Sunny/Natural light/Warm light/Sodium lamp/ Incandescent lamp/Locked white balance
ROI	8 regions
OSD	1 regions; 16*16/32*32/48*48
Privacy Mask	4 regions
Defog	Yes
Feature	
Alarm Trigger	Motion Detection; Mask Alarm; Disk Full, Disk R/W Error; IP Address Conflict
Linkage Method	Trigger Recording; Trigger Capture; Notify Surveillance Center
Video Analytics	Tripwire; Perimeter
Rules of behavior analyse in 1 scene	2

Network	
ANR	ANR
Protocols	HTTP;HTTPS;TCP/IP;UDP;UPnP;ICMP;DHCP;DNS;DDNS;Easy DDNS;NTP;QoS;IPv4;SSH;Unicast;RTSP;FTP
System Compatibility	P2P(Mutually exclusive with Profile G); Onvif Profile S/T/G; CGI; MIL STONE
Remote Connection	≤2
PC CMS Software	Secureeye Smart Client
Mobile APP	Phoenix Pro
Web	IE 10+;Firefox52+;Edge89+;Safari11+;Chrome57+
Interface	
Communication Interface	1RJ45 10M/100M self adaptive Ethernet port
Built-In Mic	Yes
On-board storage	Built-in Micro SD card slot, up to 512 GB
General	
Web Client Language	English/Spanish/Italian/Turkish French/Polish/German/Ukrainian
Operating Temperature	-30°C ~ 60°C
Operating Humidity	0 ~ 95%
Storage Temperature	-30°C ~ 60°C
Storage Humidity	0 ~ 95%(non-condensing)
Power Supply	POE 802.3af, MAX 6W
Protection	Surge Protection 2000V; Lightning Proof 6000V; IP66; IK10
Boundary Dimensions	120(L)120(W)90(H)mm
Package Dimensiond	140(L)140(W)120(H)mm
GrossWeight	0.61Kg
NetWeight	0.41Kg

DIMENSIONS (Unit: mm)



ACCESSORIES

